

ROKINON®

CINE
DSX



24mm T1.5 CINE DSX

Instruction Manual

Thank you for purchasing the ROKINON Cine DSX 24mm T1.5 Full Frame prime lens.

Please read this instruction manual prior to use to familiarize yourself with functions of the lens, the operating method, and cautions.

FEATURES

- Available in mounts to fit all major camera brands, and offering Full Frame coverage, it will provide high quality video and still images with Mirrorless and DSLR cameras of any sensor size.
- The fast T1.5 aperture supports shooting even in low-light situations, and can provide a shallow depth of field for precise selective focus control to highlight your subject.

- It offers full cine lens features including a de-clicked aperture control, industry standard 0.8 MOD focus and aperture ring gearing, a precise and smooth long focus throw, T-stop calibration, and tight color matching.

- Additional features include a nine blade aperture for smoother bokeh, weather sealed mounts (Except Nikon), and the distance scales, aperture settings, and focal length markings are visible from both sides of the lens.

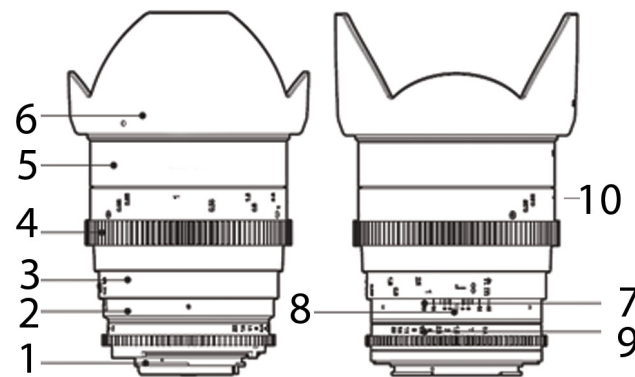
- The thirteen elements in twelve groups design utilizes six specialized elements including two Aspherical and four Extra Low Dispersion types with UMC anti-reflective coatings for clear and vibrant images.

- Its compact size and light weight design with gears that are designed to be smoother to the touch, enhance comfort and stability for hand-held and gimbal shooting.

Cautions

- Do not look directly at the sun through the lens as it may seriously impair your vision.
- Attach or detach the lens only while the camera is turned off.
- Protect the lens from water, high humidity and excessive heat.
- Avoid subjecting the lens to drastic temperature changes such as moving from a very cold outdoors location to a warm indoors location. This can cause moisture in the air to condense inside or on the outside of the lens and lead to failure or mold production.
- Before taking the lens indoors from a cold outdoors location, put the lens in a plastic bag or sealed camera bag, and remove it only when the lens has warmed up to room temperature.

Parts



- | | |
|------------------------------|--------------------------------|
| 1) MOUNT | 6) HOOD |
| 2) DISTANCE SCALE INDEX | 7) DEPTH OF FEILD SCALE |
| 3) LEFT SIDE DISTANCE SCALE | 8) APERTURE INDEX |
| 4) FOCUSING RING | 9) APERTURE RING |
| 5) HOOD MOUNT | 10) RIGHT SIDE DISTANCE SCALE |

Attaching the Lens

- Align the index mark on the lens barrel with the index mark on the lens mount of the camera.
- Do not press the lens release button on the camera when mounting the lens.
- Insert the lens into the camera mount and rotate it clockwise (Counterclockwise for Nikon mounts) until it “clicks” and locks into place. Do not insert the lens at an angle.
- Remove the front lens cap when you are ready to shoot.
- Attach the front lens cap.
- While holding down the lens release button on the camera body, rotate the lens counterclockwise (Clockwise for Nikon mounts) until it stops and separate the lens from the body.
- Attach the rear lens cap.

Aperture Adjustment and Exposure Modes

If your camera will not record video or shoot in still mode, make sure you are in either Manual or Aperture Priority exposure control mode, and that “release without lens” is enabled within your camera’s menus.

- Aperture adjustment is done directly on the aperture ring of the lens, NOT from a control on your camera.
- It is suggested that ISO be set manually, NOT on auto. Set it to a sensitivity appropriate for the subject, lighting conditions, and speed/aperture settings you want to utilize

Focusing

Check your camera’s instruction book for manual focusing methods including Focus Peaking and Focus Magnification. Please note that available focusing methods may vary depending on your camera model.

- Set the Focus Mode of your camera to Manual Focus.
- Set the lens to its maximum aperture of T1.5. This enables you to critically focus by eliminating the influence that depth of field provides at smaller apertures.
- After achieving critical focus at T1.5, set your shooting aperture.
- Precise Infinity Focus NOT located at the focus stop at the infinity end of the focus scale. The exact point on the focusing scale for critical infinity focus will vary depending on camera and lens mount, wear, temperature, and normal design tolerances.

Cleaning

- It is extremely important before cleaning to dust off the lens surface using a lens blower or a soft brush to remove any foreign particles or grit that could scratch the lens.
- For stubborn spots, use only one or two small drops of a reputable lens cleaner on a microfiber cloth, and gently wipe the lens in a circular motion.

DO NOT USE AN ORGANIC SOLVENT SUCH AS PAINT THINNER, ALCOHOL, OR BENZENE.

Product Specifications

Model	ROKINON DSX 24mm T1.5						
Aperture Range	T1.5 ~ 22						
Mount	CANON EF	CANON RF	NIKON	SONY E	FUJI X	CANON M	MFT
Angle of View (Full Frame / APS-C)	84.1° / 58.0°	84.1 / 58.0	84.1° / 61.3°	84.1° / 61.3°	61.3°	58.0°	47.6°
Length	3.82" (97.1mm)	4.77" (121.1mm)	3.72" (94.6mm)	4.85" (123.1mm)	4.86" (123.4mm)	4.84" (123mm)	4.80" (121.9mm)
Weight	21.1oz (597.8g)	23.4oz (662.6g)	20.7oz (587g)	22.9oz (649g)	22.6oz (640g)	22.7oz (642g)	22.4oz (636g)
Optical Construction	13 Elements in 12 Groups (2 ASP, 4 ED, with UMC Coating)						
Minimum Focusing Distance	9.84" (0.25m)						
Filter Size	77mm						
Number of Aperture Blades	9						
Maximum Diameter	3.31" (84.0mm)						
FOCUS THROW/ APERTURE THROW	139°/48°						

- The minimum focus is the distance from the image sensor to the object.
- The product specifications and exterior are subject to change without notice.
- The supported functions of this product may vary according to the camera brand and model.

Included Components

- Instruction Manual/ Warranty
- Front Lens Cap
- Soft Lens Pouch
- Rear Lens Cap

Contacts

Elite Brands Inc.
ROKINON Division
New York, NY 10005

Toll Free: 800.441.1100
Phone: 212.947.7100
support@rokinon.com

rokinon.com
facebook.com/rokinonlenses
instagram.com/rokinon

ROKINON® is a registered trademark of Elite Brands Inc.
©2020, Elite Brands Inc., New York, NY 10005

Notes



IMPORTANT!
BEFORE SENDING YOUR ROKINON LENS OR ACCESSORY PLEASE CALL 1-800-441-1100 / (212) 947-7100
FOR TECHNICAL SUPPORT TO OBTAIN A WARRANTY AUTHORIZATION #

1. If the product on the right is determined to be defective a warranty authorization number will be provided.
2. Please include a copy of this document with all information filled in and dated proof of purchase.
3. Pack the equipment carefully with sufficient cushioning material and ship it prepaid and insured for its full value to:
ELITE BRANDS INC., Attn: Service Dept., 40 Wall Street, 61st Floor, New York, NY 10005

ROKINON U.S.A. LIMITED TWO YEAR WARRANTY

Your ROKINON product of the model and serial number on the right is warranted by Elite Brands Inc. against defective workmanship or materials for two full years from the date of purchase.

Elite Brands Inc. will at its option, either repair or replace equipment which is returned prepaid and insured to the address above. The product must be accompanied by the original sales slip showing proof of date of purchase and a copy of the Certificate of Quality with all of the required information filled in. On examination if the product has been damaged in transit, abused or is out of warranty, we will contact you with an estimate of the cost of service.

This warranty does not apply to equipment or accessories not manufactured or imported by Elite Brands Inc., or if the equipment is out of warranty, or has been damaged in transit, by accident, abuse (including, but not limited to, sand, dirt, water, liquid, impact, etc.), or failure to follow operating or maintenance instructions, or if the equipment has been modified or serviced by anyone other than Elite Brands Inc. This warranty only covers manufacturer defects as deemed by Elite Brands Inc.

SOME STATES DO NOT ALLOW CERTAIN CONDITIONS ON THE REPAIR OF WARRANTIED PRODUCTS, SO THE ABOVE MAY NOT APPLY TO YOU.

This U.S.A. Limited Two Year Warranty applies only to ROKINON lenses and accessories imported to the U. S. A, by Elite Brands Inc. and sold by an authorized Rokinon dealer. Elite Brands Inc. may, at its sole discretion, refuse to honor the warranty of any unauthorized product that is presented for repair.

THE FOREGOING WARRANTY IS ELITE BRAND INC.'S ONLY WARRANTY WITH RESPECT TO THE PRODUCT AND ELITE BRANDS INC. MAKES NO OTHER WARRANTY WHATSOEVER, EXPRESS OR IMPLIED, REGARDING THE PRODUCT INCLUDING MERCHANTABILITY AND FITNESS FOR A PARTICULAR PURPOSE. IN NO EVENT WILL ELITE BRANDS INC. OR ROKINON INC. BE LIABLE FOR INCIDENTAL, CONSEQUENTIAL OR SPECIAL DAMAGES, EVEN IF SUCH DAMAGES RESULT FROM NEGLIGENCE OR OTHER FAULT.

Some states do not allow the exclusion or limitation of incidental or consequential damages, so the above limitations or exclusions may not apply to you.

This warranty gives you specific legal rights and you may also HAVE OTHER RIGHTS WHICH VARY FROM STATE TO STATE. ADDRESS ALL INQUIRIES CONCERNING THE ABOVE TO: ELITE BRANDS INC., ATTN: WARRANTY SERVICE 40 Wall Street, 61st Floor, New York, NY 10005 USA.
Email: support@rokinon.com Phone: (212) 947 7100

Date of Purchase _____ Purchased From _____
Name _____ Address _____
Phone # _____ Email Address _____

ROKINON®

Technology by Samyang Optics

Certificate of Quality

Thank you for Purchasing a Rokinon product. Rokinon lenses and accessories are renowned worldwide to deliver the performance required and exceptional value appreciated by both professional and beginner photographer/videographers. This certificate assures that the Rokinon product model and serial number below were manufactured by Samyang Optics in South Korea and incorporates their latest technology, attention to quality and detail.

Director Taeyoung Kang
Quality Control Team

Rokinon Optics Distributed
by Elite Brands Inc.

40 Wall Street, 61st Floor
New York, NY 10005 USA
Web: www.rokinon.com

Email: Support@rokinon.com
Phone: (212) 947-7100 / (800) 441-1100